



Compressors D&D™  
MEDICAL AIR SYSTEM

MEDICAL VACUUM PUMP  
MOUNTED ON AIR RECEIVER  
COMPRESSORS D&D ®



Retorno 11 #34, Col. Avante, Coyoacán  
C.P. 04460, Ciudad de México, México



Tel. +52 (55) 5689 7657  
+52 (55) 7160 7556



info@compressorsdd.com

 TÜVRheinland®  
Precisely Right.



## TECHNICAL SPECIFICATIONS

Vacuum equipment specifications assembled with **Oil-Free and Lubricated Vacuum Pumps. Simplex, Duplex Compressors D&D ®**

System integrated by "Oil Free" vacuum pumps, silent, working at low temperature with type-claw technology, direct power transmission system by coupling, high-efficiency electric motor, voltage a 220-440 V / 3 Phases / 60 Hz, mounted on a structural base or mounted on air receiver from 80 to 240 gal with vibration insulation (antivibration heels), air receiver with ASME stamped code, by-pass to maintain each pump without interrupting the service and replacing the same air receiver.

"K" Type Copper pipe welded with silver and brazed welding with nitrogen and / or carbon steel pipe, for the interconnection requires flexible stainless steel hose.

Control panel with the following equipment

Electrical panel control with digital screen for alternate or simultaneous operation of the pumps, integrated in a metal cabinet, UL 508A Listed "Industrial Control Panels", with the following components:

Solid state digital control tablet with touch screen (Programmable Logic Controller "PLC") programmed for:

- Control in the sequence of alternating or simultaneous operation of the motors.
- Control of engine operating time. So that in case of reaching 5 minutes and the stop pressure is not reached, the other machine will automatically start operating
- Automatically disconnects any of the vacuum pumps in case of high temperature.
- Electronic tablet protected against electric and magnetic noise (prevents DLC programming from being lost)
- General Thermomagnetic switch with safety proximity sensor that disconnects the system when opening the door.
- Three-phase alternating current contactor for each motor.
- Thermomagnetic switch for each motor



Retorno 11 #34, Col. Avante, Coyoacán  
C.P. 04460, Ciudad de México, México



Tel. +52 (55) 5689 7657  
+52 (55) 7160 7556



info@compressorsdd.com



- Stop/Start switch on screen.
- Operating hours counter for each engine on screen
- Operating hours counter for each pump on screen
- High temperature indicator for any of the equipment with Alert Message on screen
- Overload indicator on screen with Alert Message
- Operating temperature indicator on screen
- Thermomagnetic switch for "DLC" control system protection
- Audiovisual alarm for low pressure system
- Electronic pressure transducers
- UL 508a Listed

The equipment is delivered with:

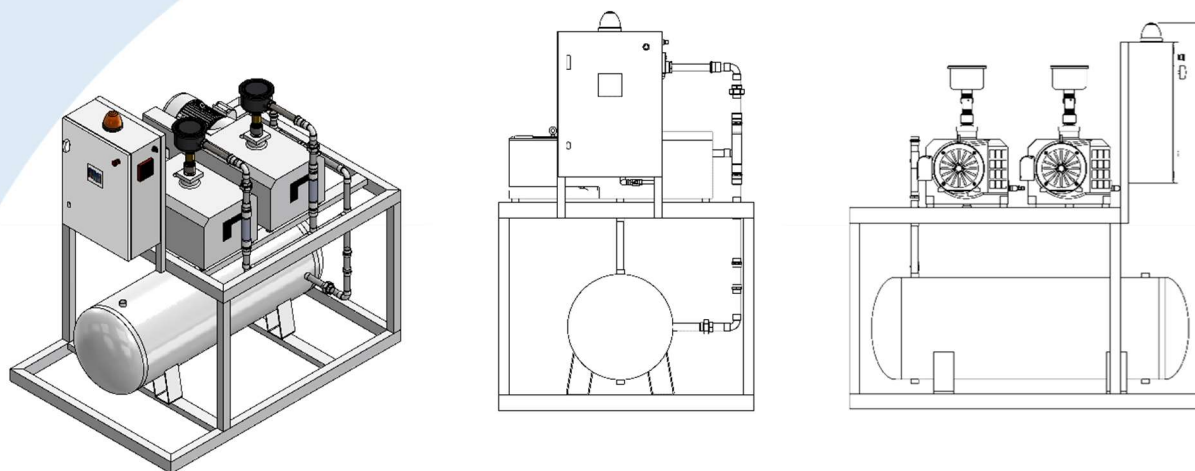
A printed folder with operation manual, maintenance manual and number of parts, this information will also be given with electronic support.

One year warranty against manufacturing defects.

Drawings of mechanical guides will be delivered to carry out the necessary preparations for energy taking and discharge.

All our medical compressors are manufactured under the **ISO 9001:2015, NFPA 99-2015 & European Pharmacopoeia** rules.





### DUPLEX VACUUM PUMP TANK MOUNT DTDDV SERIE

| ITEM     | POWER<br>hp/kw | VOLTAGE                            | P.C.M.<br>@0" IN<br>HG | P.C.M.<br>@19" IN<br>HG | P.C.M.<br>@25" IN<br>HG | TANK<br>Gal/l | DIMENSIONS<br>(L, W, H)<br>pulg/mm |
|----------|----------------|------------------------------------|------------------------|-------------------------|-------------------------|---------------|------------------------------------|
| DTDDV103 | 1.5/1.1        | 208-220/50-60/3<br>380-440/50-60/3 | 18                     | 6.48                    | 2.88                    | 80/300        | 69x49x76<br>1760x1230x1918         |
| DTDDV153 | 2/1.5          | 208-220/50-60/3<br>380-440/50-60/3 | 44                     | 15.84                   | 7.04                    | 80/300        | 69x49x76<br>1760x1230x1918         |
| DTDDV223 | 4/3            | 208-220/50-60/3<br>380-440/50-60/3 | 79                     | 28.44                   | 12.64                   | 80/300        | 69x49x76<br>1760x1230x1918         |
| DTDDV374 | 5/4            | 208-220/50-60/3<br>380-440/50-60/3 | 100                    | 36                      | 16                      | 120/500       | 69x49x76<br>1760x1230x1918         |
| DTDDV554 | 7.5/5.5        | 208-220/50-60/3<br>380-440/50-60/3 | 171                    | 61.56                   | 27.36                   | 120/500       | 69x49x76<br>1760x1230x1918         |
| DTDDV754 | 10/7.5         | 208-220/50-60/3<br>380-440/50-60/3 | 212                    | 76.32                   | 33.92                   | 120/500       | 69x49x76<br>1760x1230x1918         |



Retorno 11 #34, Col. Avante, Coyoacán  
C.P. 04460, Ciudad de México, México



Tel. +52 (55) 5689 7657  
+52 (55) 7160 7556



info@compressorsdd.com